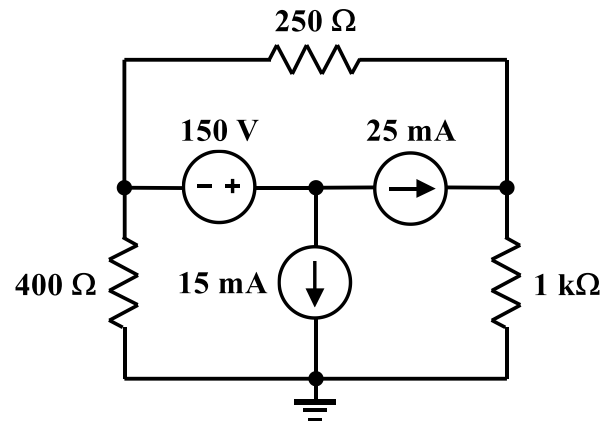


EE 2240  
**Homework Problem #028**

Define mesh currents and express the mesh equations in the matrix form discussed in class.



Do not attempt to solve the equations.